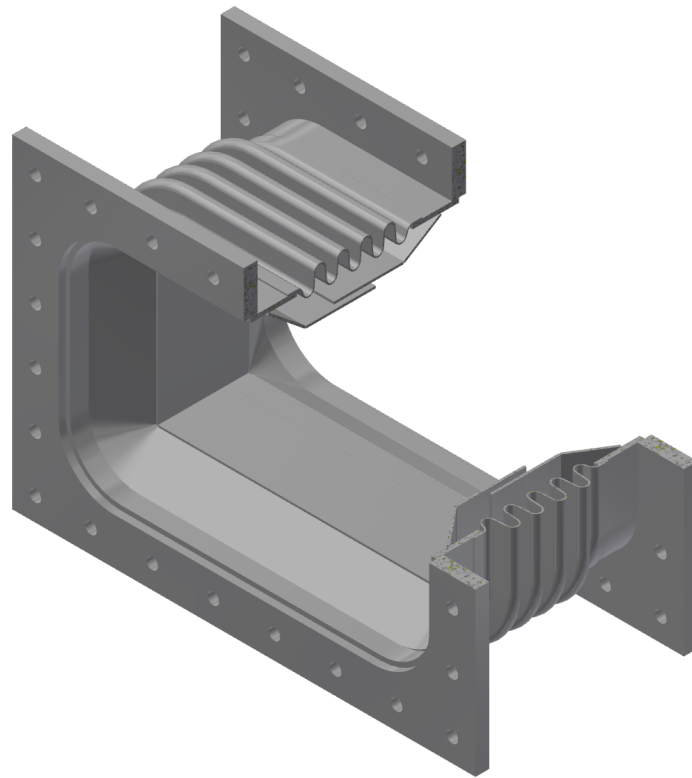




## RECTANGULAR MULTILAYER EXPANSION JOINT DATASHEET



Expansion Joint Type : CB\_SB\_EFE\_IWE\_CST\_LSXSS\_REC

----- Rectangular Multilayer Rounded Corners Expansion Joint -----

Type suitable for High Cycles Fatigue

Rounded Corners Multilayer Design : Low CO2 Emission

NS: Nominal Size

LS: Long Side [mm]

SS: Short Side [mm]

BL: Built in Length [mm]

Dimensional Tolerances: To be specified upon request



## RECTANGULAR MULTILAYER EXPANSION JOINT DATASHEET

### ----- Movements Suitability -----

All CUBE expansion joints are Suitable for Axial movements

SB - Single Bellows type expansion joint

Limited Suitability for Lateral movements, not recommended for large Lateral movements

Suitable for Angular movements

### ----- Bellows Geometry and Spring Rates-----

Bellows Geometry is strictly related to the specific design requirements

Spring Rates are strictly related to the specific bellows geometry

All bellows parameters to be specified upon request

### ----- Flow Conditions -----

Suitability for the flow conditions should be verified according to the specific flow data

Expansion joint with internal medium flow liner

Type Suitable for high flow speed of medium, to be verified according to the specific flow data

### ----- Expansion Joint Connection End -----

All connections that are not described in CUBE types catalogue may be designed as a customized solution

Expansion joint type suitable for direct connection to the rectangular duct

Depending on the expansion joint type, connection can be weld end or flange end

CB - SB - EFE / IWE - CST - LS x SS - REC

